

Reducing end connector

Service

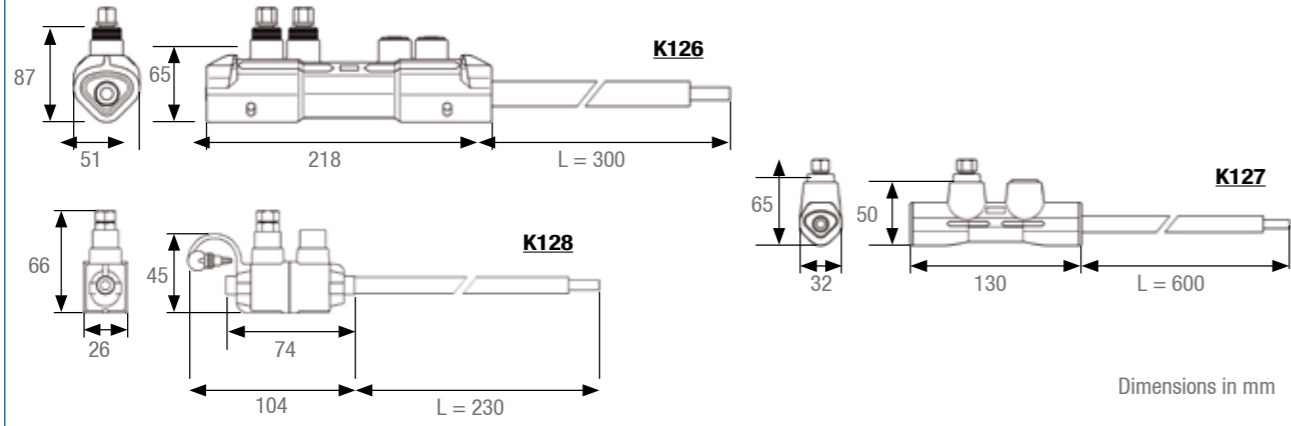


Application

This end connector is used for connecting a conductor with a given section into a terminal with a smaller one. It is usually used for industrial supplies and long-line supplies.

Description

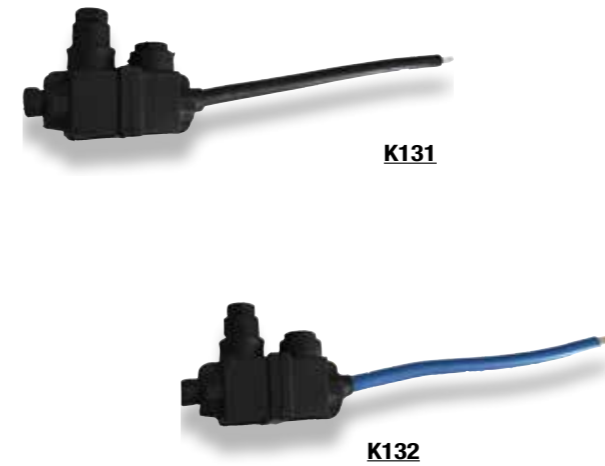
- The dielectric strength in water is greater than 6kV.
- The flexible copper tails enable direct connection to the equipment.
- The conductor connection terminal is of insulation stripping type.
- This end connector can be used on aluminium or copper conductors.



Code	Designation	Tail length (mm)	Leading-in capacities Al-Cu (mm²)	Tail section (mm²)	Weight (kg)	Sales unit
K126	STRIPPING REDUCING END CONNECTOR 95-240	300	Round 95-150 Sectoral 95-240	50	0.780	4
K127	STRIPPING REDUCING END CONNECTOR 25-95	600	Round 25-95 Sectoral 50-95	25	0.330	2
K128	STRIPPING REDUCING END CONNECTOR 6-50M	230	Round 6-35 Round 16M-50M	25	0.170	2

Note: For other adaptations, please contact us.

Fraud-preventing service connection



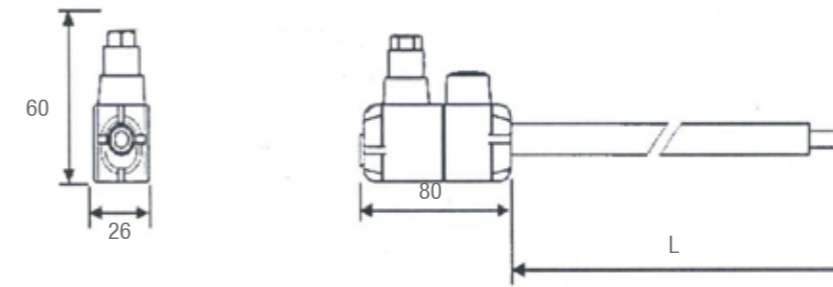
Application

This end connector is used for connecting a service conductor to an equipment terminal.

Four models are available with black tail for Phase connection (K129 and K131) or blue for Neutral connection (K130 and K132). This solution is used to secure the outdoor connection to equipment terminals.

Description

- The dielectric strength of the end connector in water is greater than 6kV.
 - The service end connector is designed for connection to 6-35mm² section copper or aluminium conductors.
 - A 16mm² insulated flexible copper tail enables connection to equipment terminals (meter circuit-breaker).
 - The conductor connection terminal is of insulation piercing type. The shear head ensures tightening efficiency.
- Note: to prevent dismantling of the end connector with risk of fraud, none of the permanent screw heads is accessible.



*Dimensions in mm
L= 220 (K131 and K132)
L= 520 (K129 and K130)

Code	Designation	Tail length (mm)	Leading-in capacities Al-Cu (mm²)	Tail section (mm²)	Weight (kg)	Sales unit
K131	PIERCING REDUCING END CONNECTOR 6-50M PHASE L300	220	6-35 16-50M	16	0.150	16
K132	PIERCING REDUCING END CONNECTOR 6-50M NEUTRAL L300	220	6-35 16-50M	16	0.150	16
K129	PIERCING REDUCING END CONNECTOR 6-50M PHASE L600	520	6-35 16-50M	16	0.190	12
K130	PIERCING REDUCING END CONNECTOR 6-50M NEUTRAL L600	520	6-35 16-50M	16	0.190	12